

technical Info

Technical Info

09/01/14



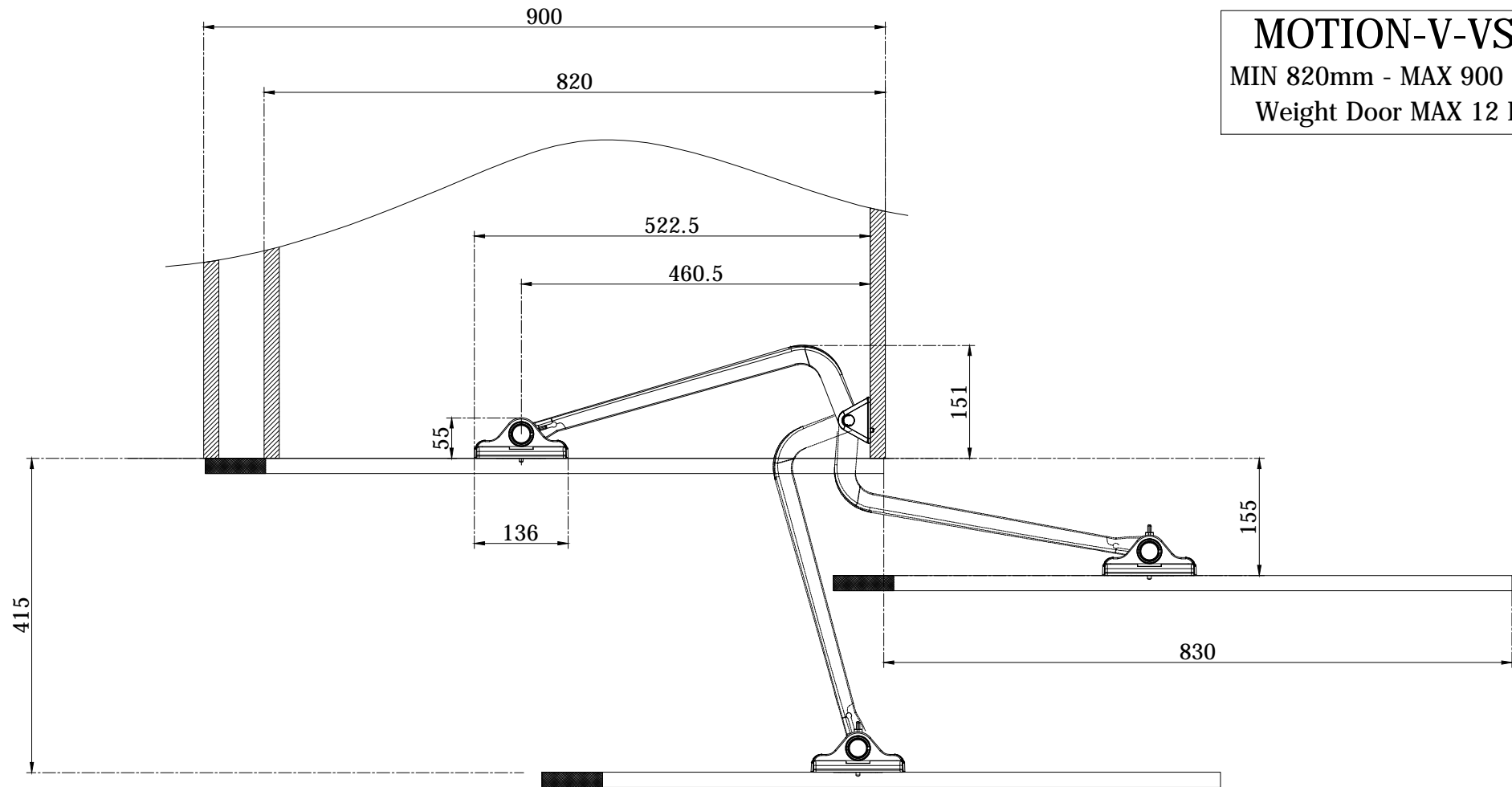
sevelto

DESIGN AND PRODUCTION MADE IN ITALY

MOTION-VS



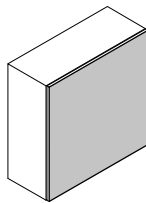
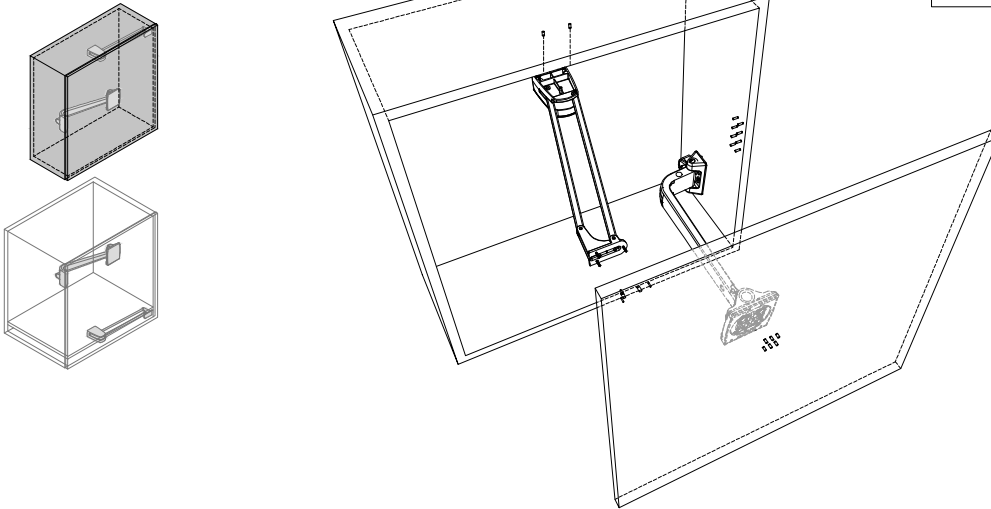
MOTION-V-VS1
MIN 820mm - MAX 900 mm
Weight Door MAX 12 Kg



Technical Drawing Motion-VS Dimensions
Ing. E. Terragni
08/01/14

servetto

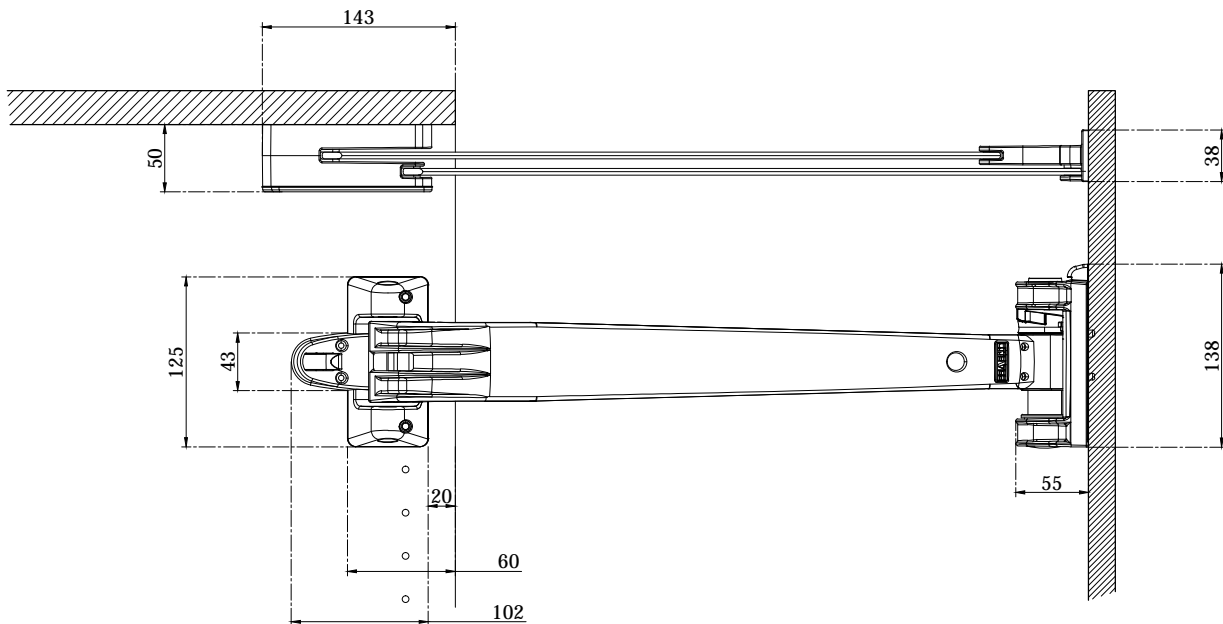
MOTION-V-VS1



MAX 90 X (h) 90 cm

MIN 82 X (h) 40 cm

MAX 12 Kg



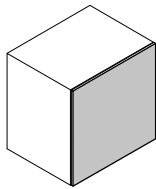
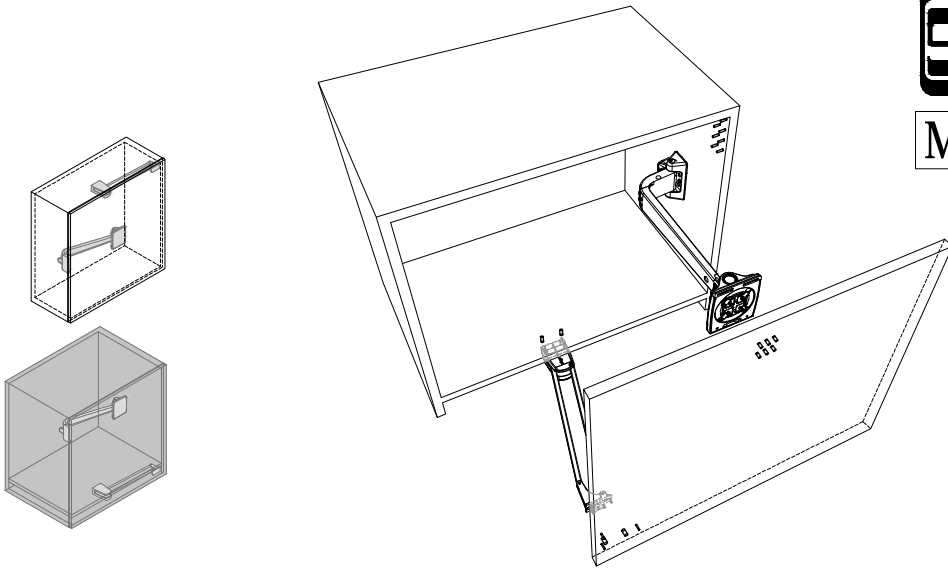
Technical Drawing Motion-VS
Dimensions

Ing. E. Terragni

08/01/14

servetto

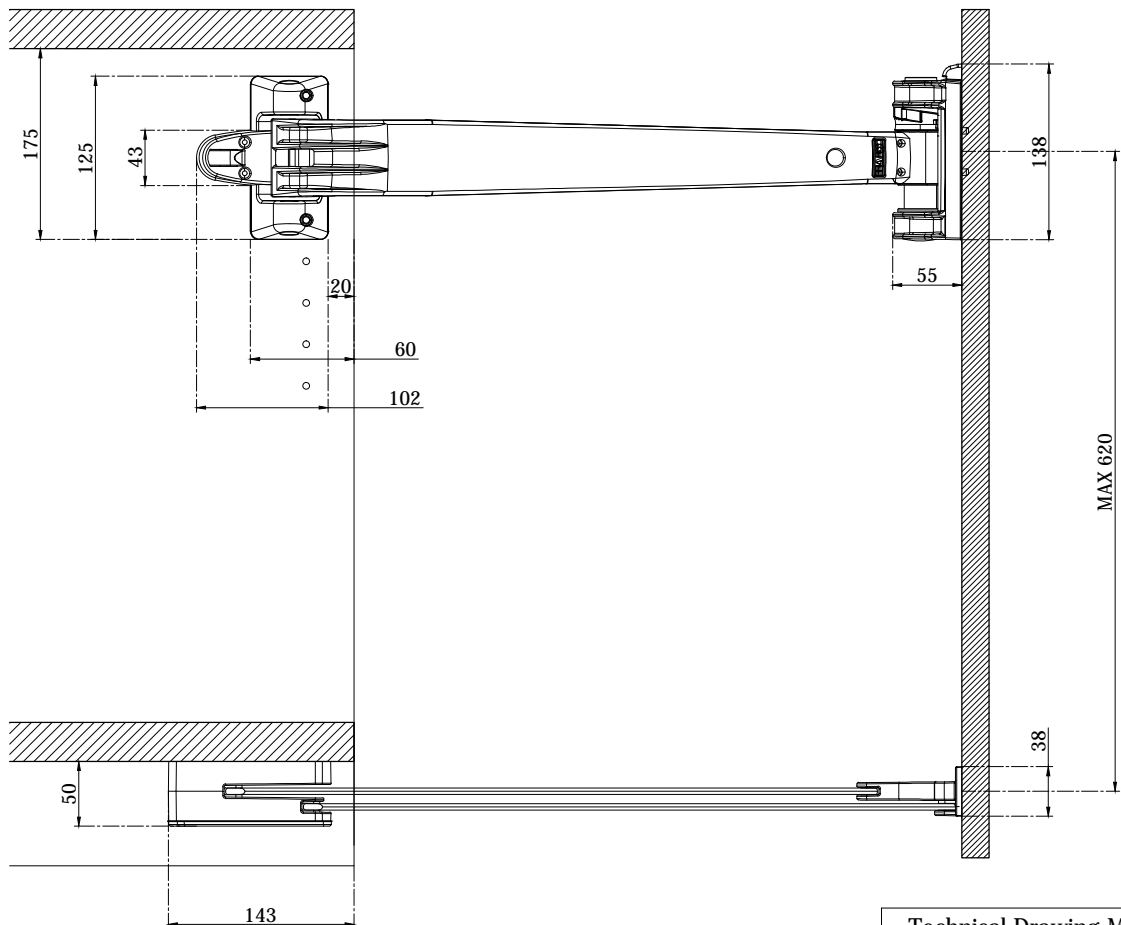
MOTION-V-VS1



MAX 90 X (h) 90 cm

MIN 82 X (h) 40 cm

MAX 12 Kg



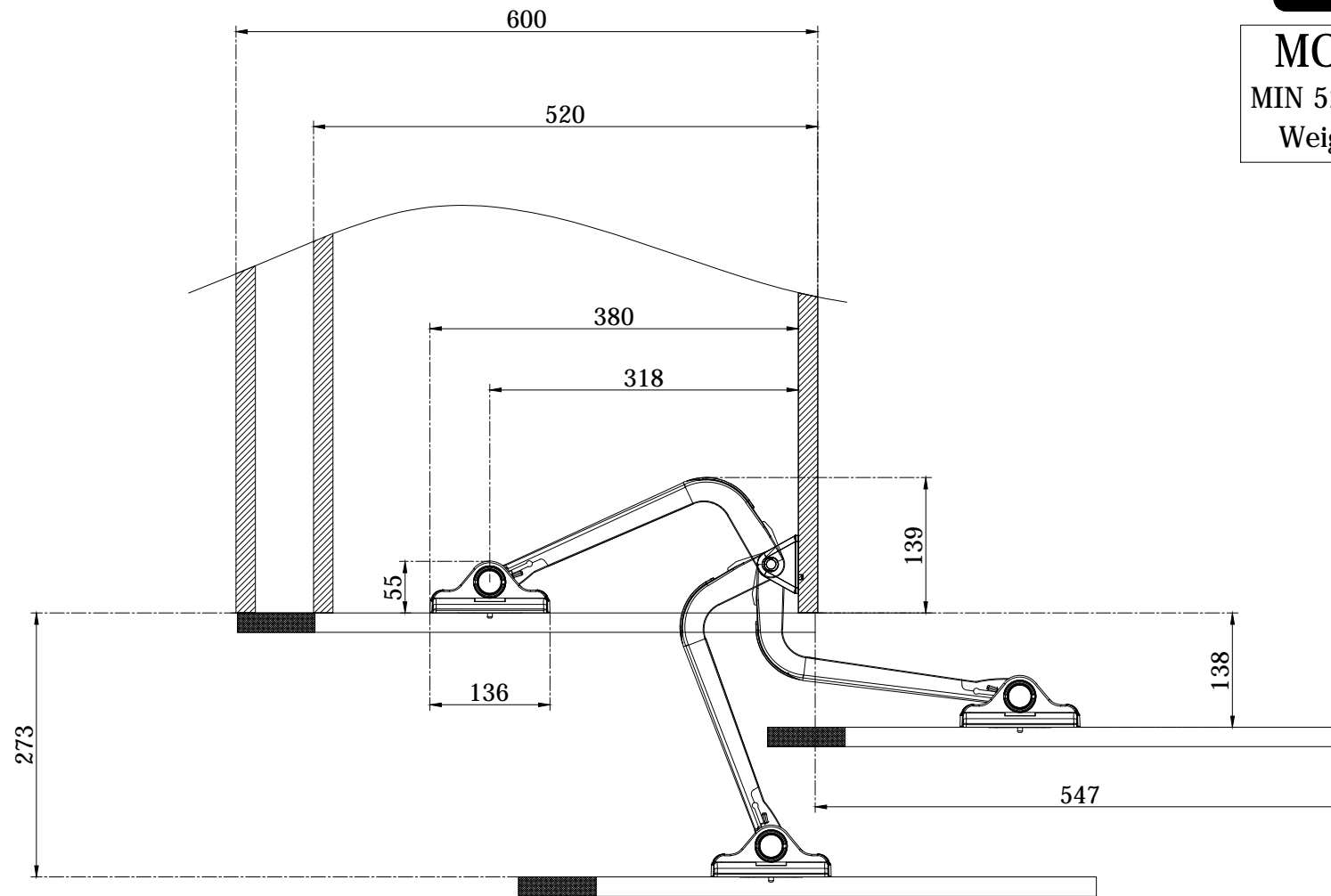
Technical Drawing Motion-VS
Dimensions

Ing. E. Terragni

08/01/14



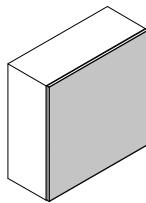
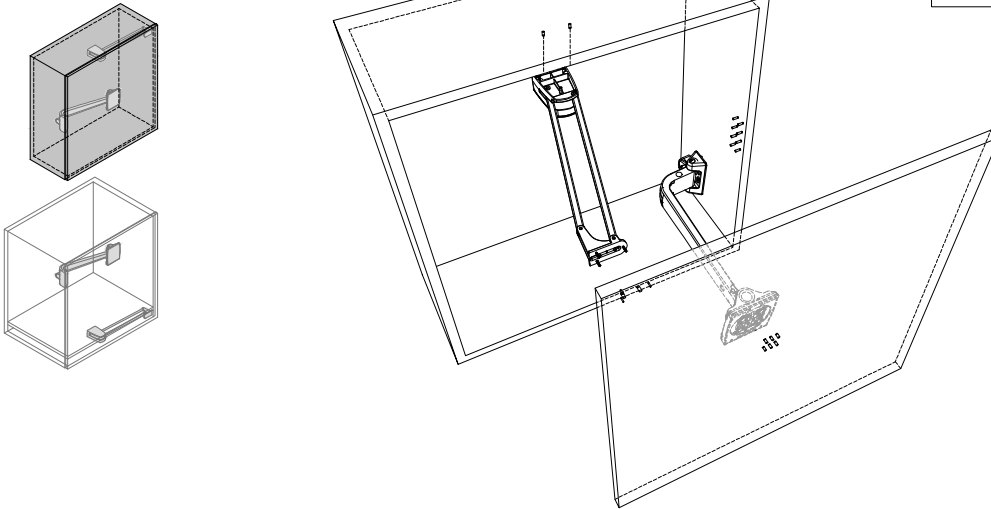
MOTION-V-VS0
MIN 520mm - MAX 600 mm
Weight Door MAX 12 Kg



Technical Drawing Motion-VS Dimensions
Ing. E. Terragni
08/01/14

servetto

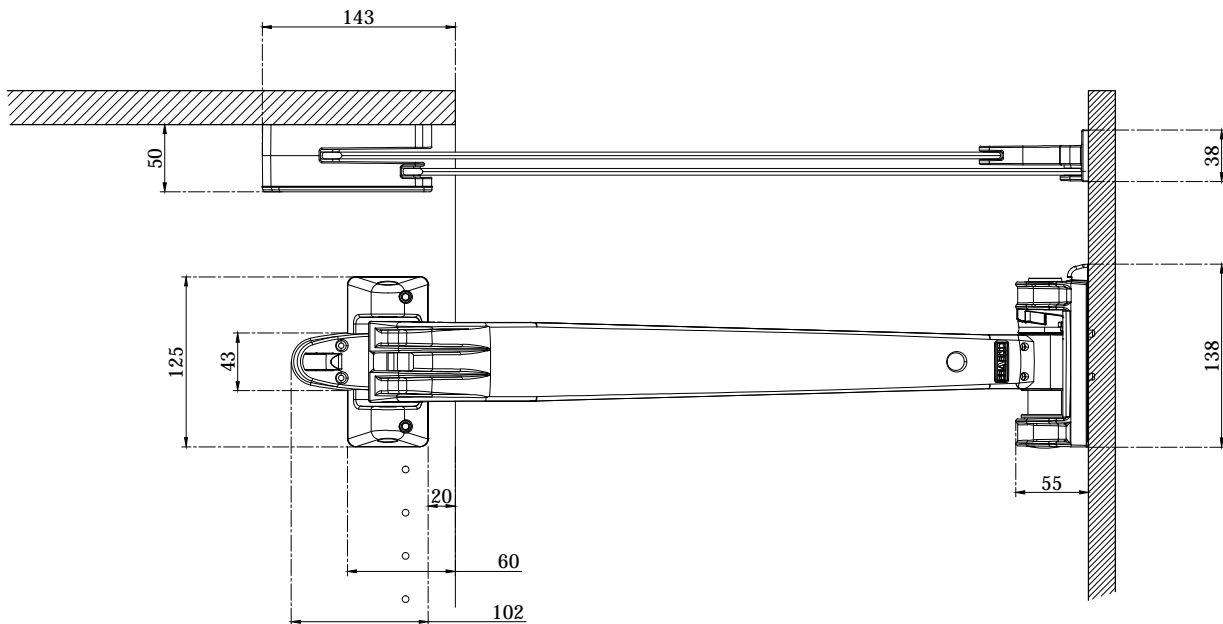
MOTION-V-VS0



MAX 60 X (h) 90 cm

MIN 52 X (h) 40 cm

MAX 12 Kg



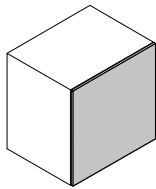
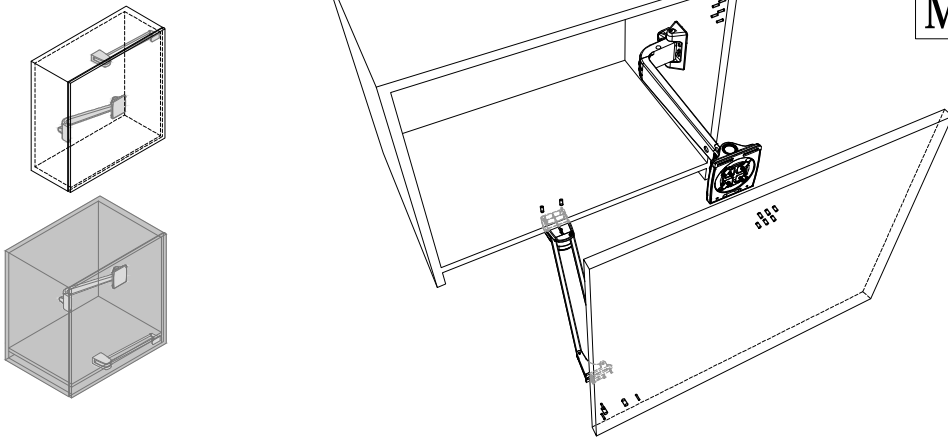
Technical Drawing Motion-VS
Dimensions

Ing. E. Terragni

08/01/14

servetto

MOTION-V-VS0

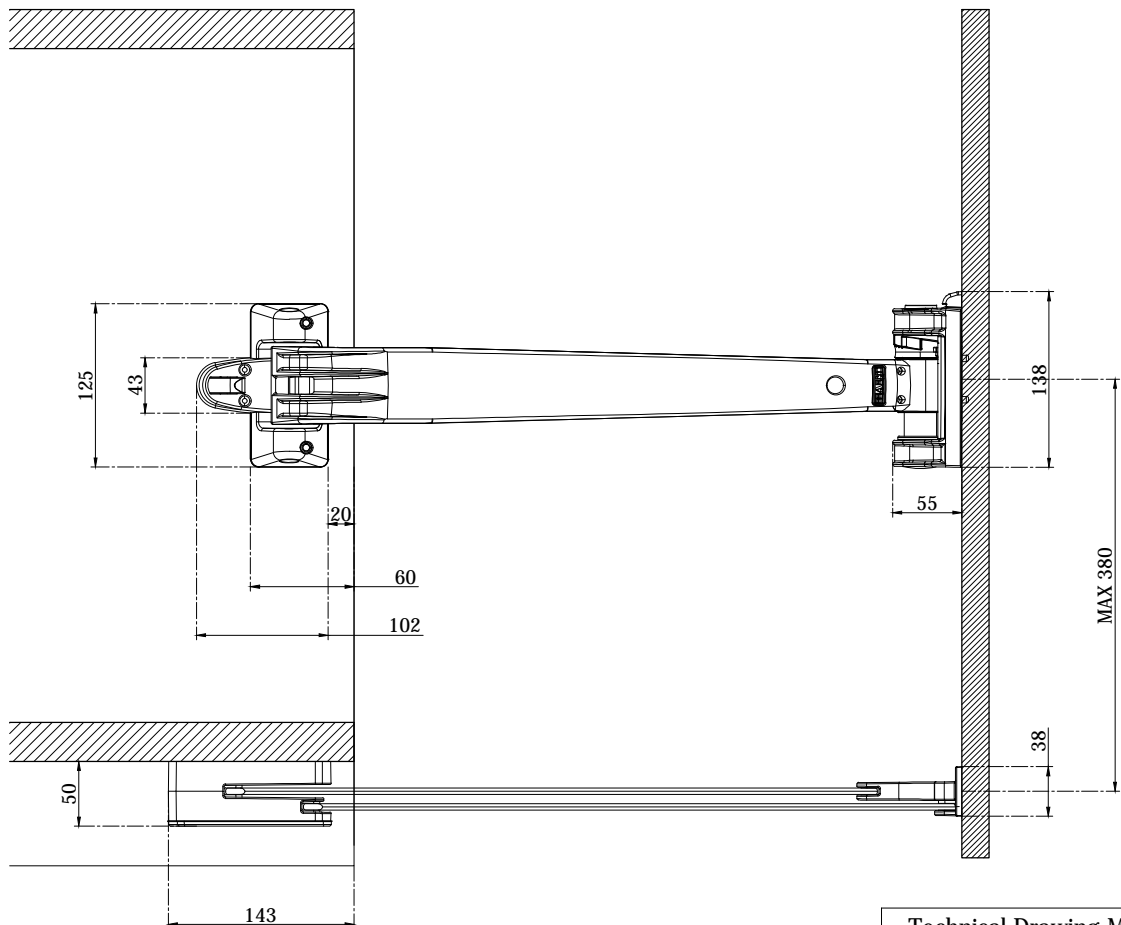


MAX 60 X (h) 90 cm

MIN 52 X (h) 40 cm



MAX 12 Kg



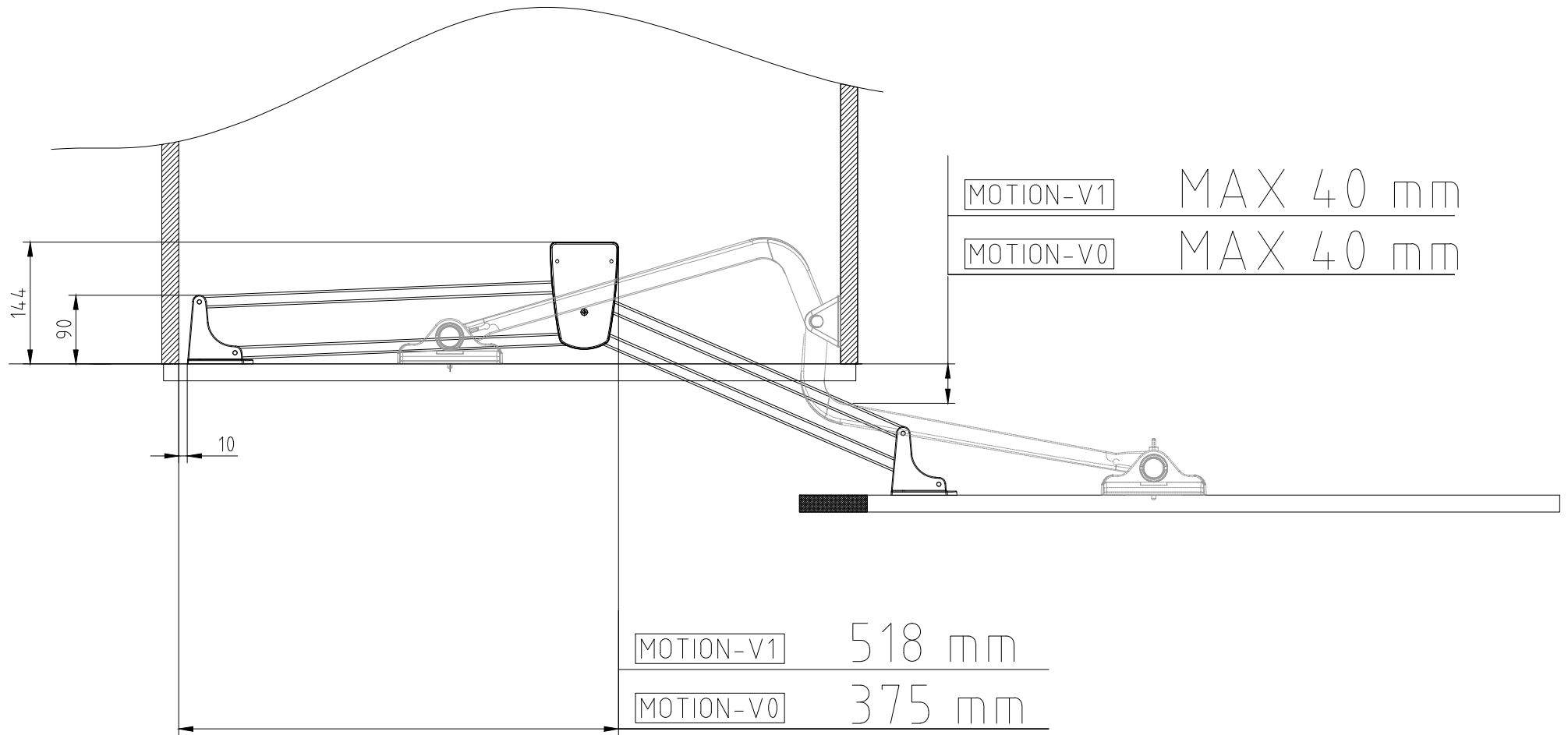
Technical Drawing Motion-VS
Dimensions

Ing. E. Terragni

08/01/14



MOTION V -VS0 - VS1



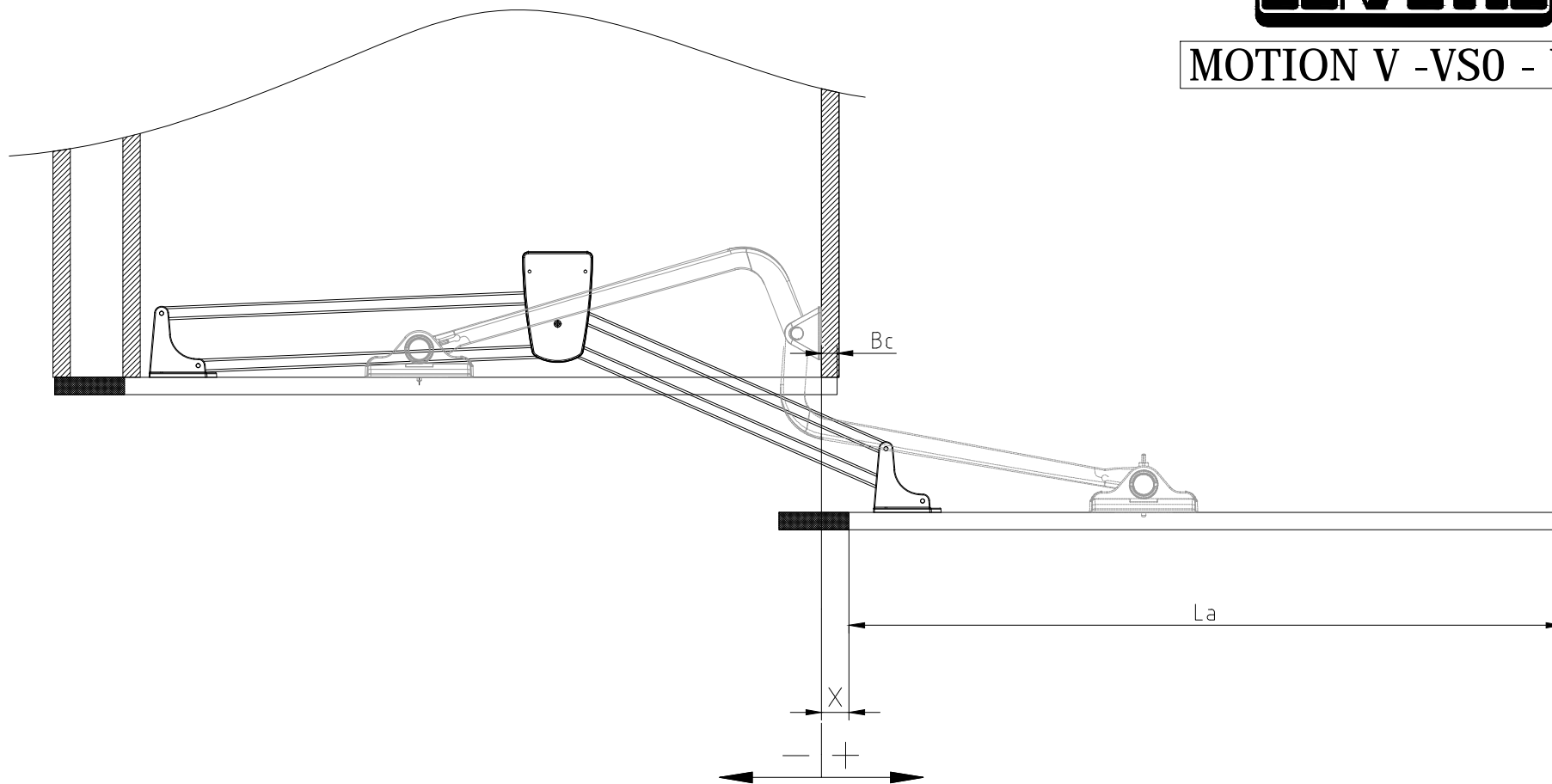
Technical Drawing Motion-VS
Dimensions

Ing. E. Terragni

08/01/14



MOTION V -VS0 - VS1



MOTION-V1	$x = 830 + Bc - La$	MIN +32	MAX -48
MOTION-V0	$x = 547 + Bc - La$	MIN +49	MAX -31

Technical Drawing Motion-VS
Dimensions
Ing. E. Terragni
08/01/14